

BEH58 Series Incremental Rotary Encoder

Housing Ø58 mm, hollow shaft incremental rotary encoder



Features

- Industrial standard housing Ø58 mm, hollow shaft
- Up to 2000 P/R
- Wide Variation of Outputs: NPN, Push-pull, Line-driver
- Protection degree :IP54

Order Code

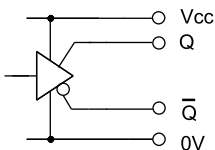
Series	Hollow Shaft	Housing Diameter	Shaft Diameter	Exit Position	Supply Voltage, Output type	Pulse Count
BE	H	58	10	S		
					6N: DC 10-30V, NPN Open collector output 6H: DC 10-30V, push-pull output 6T: DC 10-30V, 6 signals HTL output 72T: DC 5V, 6 signals TTL output	150, 200, 300, 360, 400, 500, 512, 600, 720, 800, 1000, 1024, 1500, 1800, 2000

Electrical Specifications

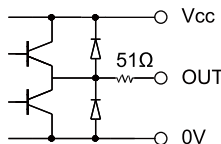
Pulse Count (ppr)	Max. 2000			
Type	6N	6H	6T	72T
Output Type	NPN Open collector	push-pull	HTL	TTL
Supply Voltage	10-30Vdc	10-30Vdc	10-30Vdc	5Vdc
No-Load Supply Current	Max. 80mA	Max. 80mA	Max. 150mA	Max. 150mA
Output Frequency	Max. 100KHz	Max. 100KHz	Max. 100KHz	Max. 100KHz
Rise Time	1 μs	1 μs	100ns	100ns
Operating Current	Max. per channel 30mA	Max. per channel 30mA	Max. per channel 20mA	Max. per channel 20mA

Output Type

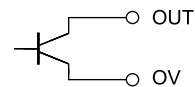
6T/72T



6H



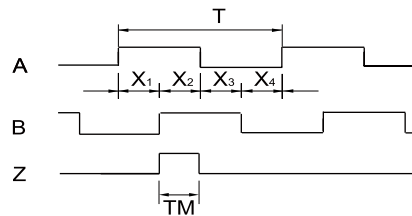
6N



Mechanical Specifications

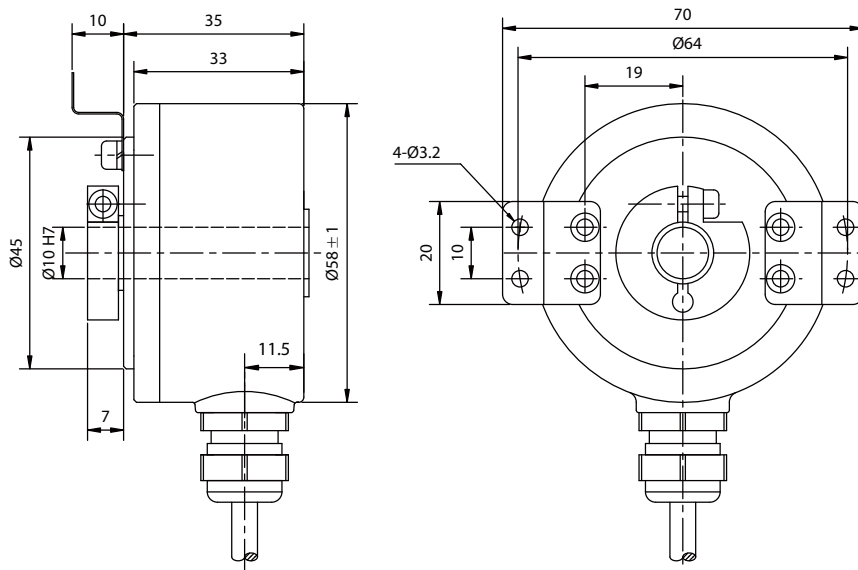
Rotational Speed	6000r/min	
Shaft Load	Axial	40N
	Radial	20N
Mass	approx. 0.2kg	
Environmental Rating	IP54	
Starting Torque	5X10 ⁻² N.m	
Operating Temperature	-10 °C ~ +70 °C	
Storage Temperature	-20 °C ~ +80 °C	
Shock Resistance	1000m/s ² , 6ms	
Vibration Resistance	100m/s ² , 10~200Hz	
Connector	1m Cable	
Housing	Aluminum	
Shaft	Stainless Steel	

Signal Outputs



P cw - with view onto the shaft

- Wave Ratio $X_1+X_2=0.5T \pm 0.1T$
 $X_2+X_3=0.5T \pm 0.1T$
- Phase shift $X_n > 0.15T (n=1,2,3,4)$
- Zero signal width $TM=0.25T \pm 0.1T$
- $T=360/N$ (N: The rotation of the shaft output number of pulses)



Electrical Connection

Color of Lead Wire	6T / 72T	6H / 6N
Red	Vcc	Vcc
Black	OV	OV
Green	A	A
Pink	A	-
Yellow	B	B
Blue	B	-
White	Z	Z
Orange	Z	-
Screen	G	G